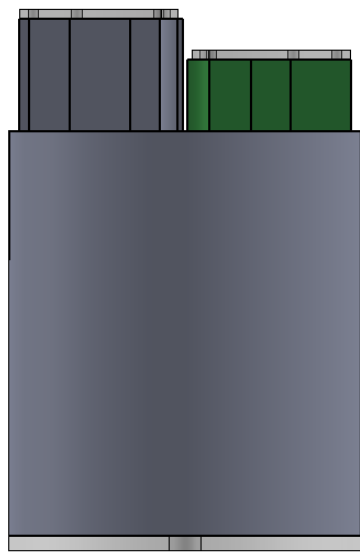


1 2 3 4 5 6

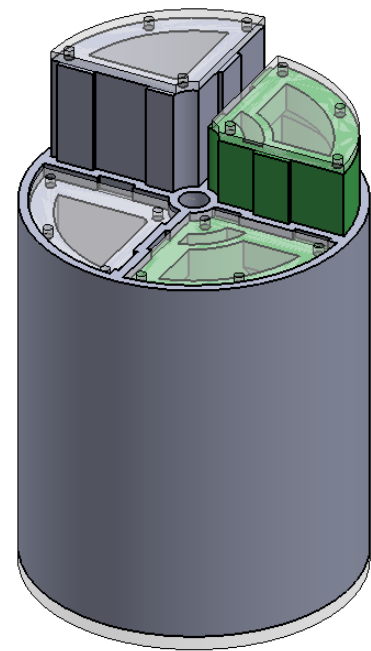
A

A



B

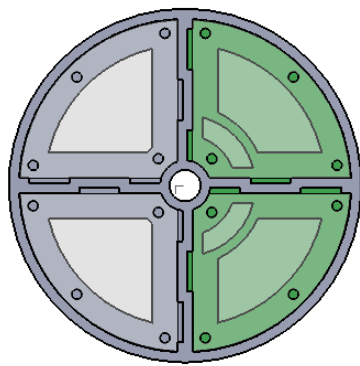
B



C

C

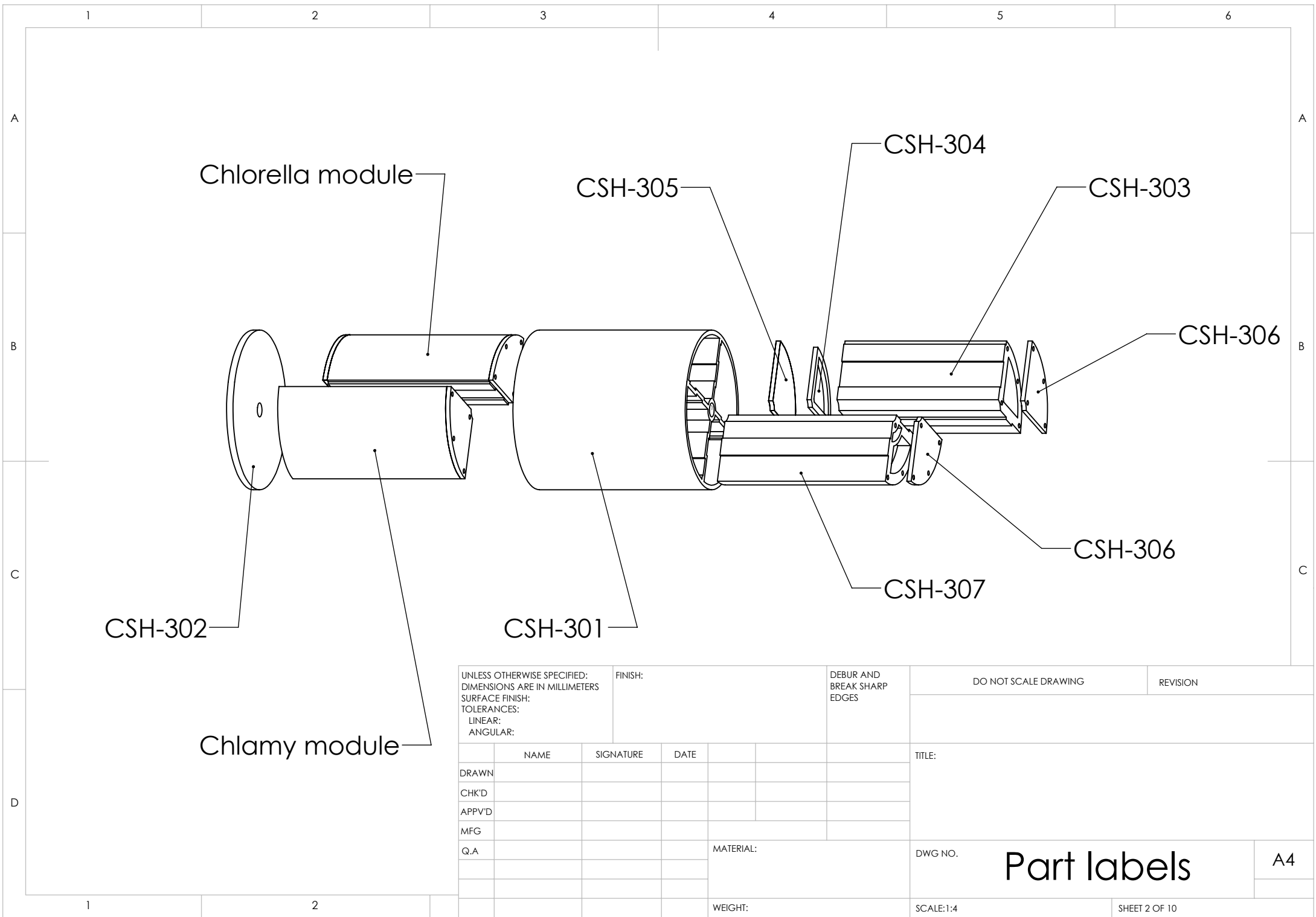
Note: At this point in time we have not yet decided which of the two aggitation methods this reactor will use.



D

1 2

UNLESS OTHERWISE SPECIFIED: DIMENSIONS ARE IN MILLIMETERS SURFACE FINISH: TOLERANCES: LINEAR: ANGULAR:				FINISH:		DEBUR AND BREAK SHARP EDGES		DO NOT SCALE DRAWING		REVISION	
DRAWN				NAME		SIGNATURE		DATE		TITLE:	
CHK'D											
APPV'D											
MFG											
Q.A								MATERIAL:		DWG NO.	
										Assembled view	
								WEIGHT:		A4	
								SCALE:1:2		SHEET 1 OF 10	



UNLESS OTHERWISE SPECIFIED: DIMENSIONS ARE IN MILLIMETERS SURFACE FINISH: TOLERANCES: LINEAR: ANGULAR:				FINISH:		DEBUR AND BREAK SHARP EDGES		DO NOT SCALE DRAWING		REVISION	
								TITLE:			
DRAWN				NAME		SIGNATURE		DATE			
CHK'D											
APPV'D											
MFG											
Q.A								MATERIAL:		DWG NO.	
										Part labels	
								WEIGHT:			
										SHEET 2 OF 10	

DWG NO. Part labels A4

1

2

3

4

5

6

A

A

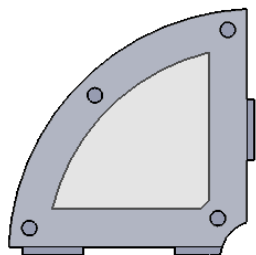
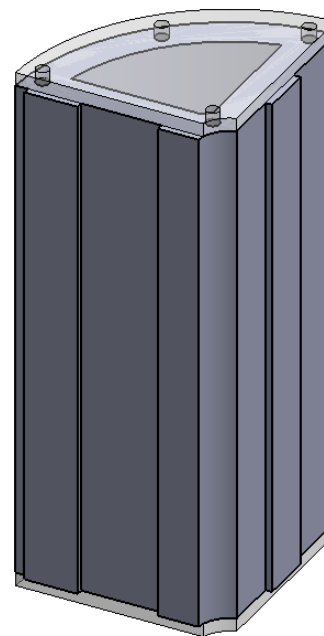
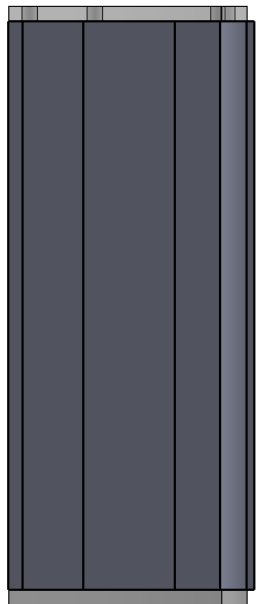
B

B

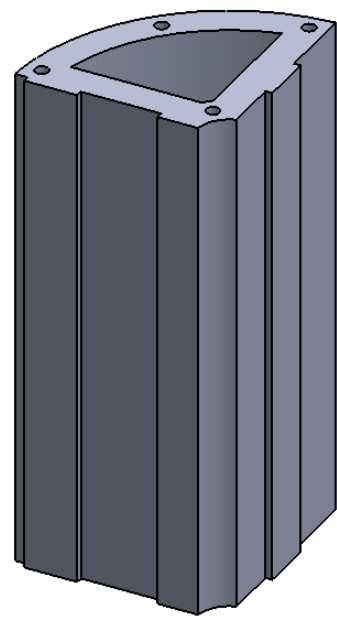
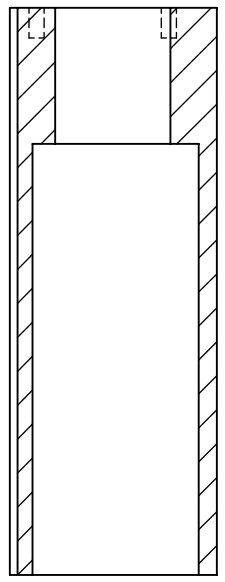
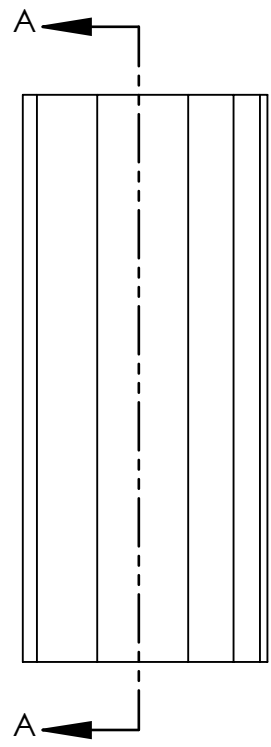
C

C

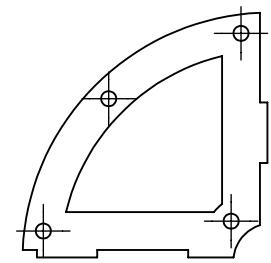
D



UNLESS OTHERWISE SPECIFIED: DIMENSIONS ARE IN MILLIMETERS SURFACE FINISH: TOLERANCES: LINEAR: ANGULAR:				FINISH:		DEBUR AND BREAK SHARP EDGES		DO NOT SCALE DRAWING		REVISION		
	NAME	SIGNATURE	DATE			TITLE:						
DRAWN												
CHK'D												
APPV'D												
MFG												
Q.A												
					MATERIAL:	DWG NO.		Chlorella module				A4
					WEIGHT:	SCALE:1:2		SHEET 5 OF 10				



SECTION A-A
SCALE 1 : 1



UNLESS OTHERWISE SPECIFIED: DIMENSIONS ARE IN MILLIMETERS SURFACE FINISH: TOLERANCES: LINEAR: ANGULAR:				FINISH:		DEBUR AND BREAK SHARP EDGES		DO NOT SCALE DRAWING		REVISION	
	NAME	SIGNATURE	DATE			TITLE:					
DRAWN											
CHK'D											
APPV'D											
MFG											
Q.A				MATERIAL:		DWG NO.		CSH-303		A4	
				WEIGHT:		SCALE:1:2					

