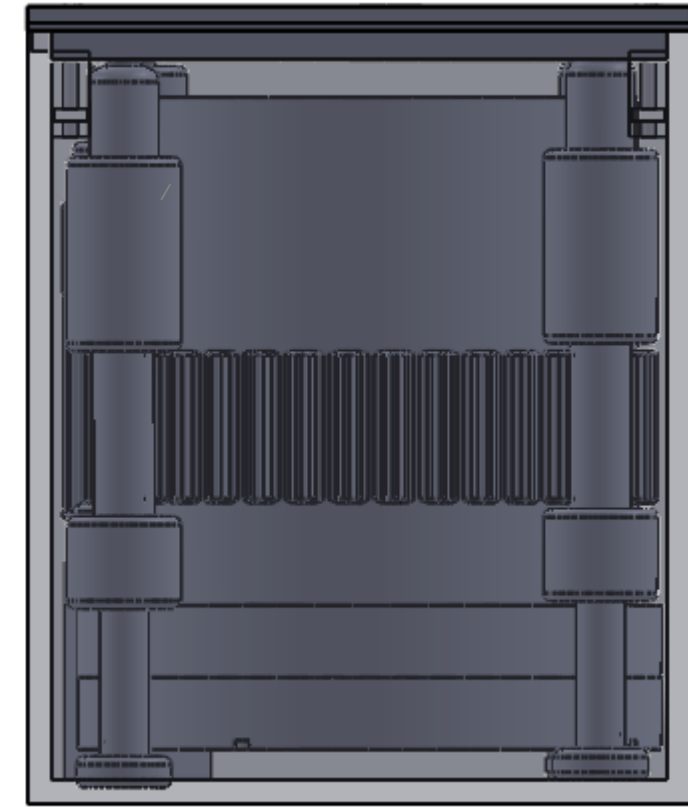
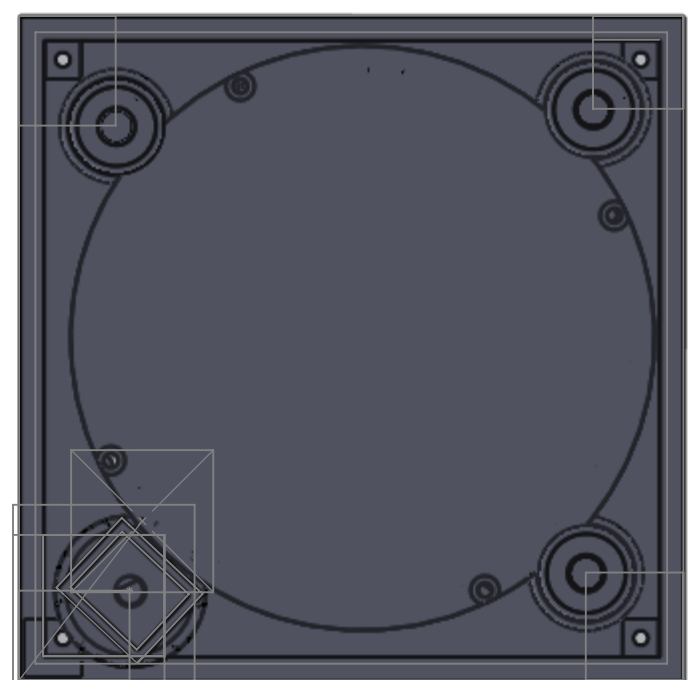


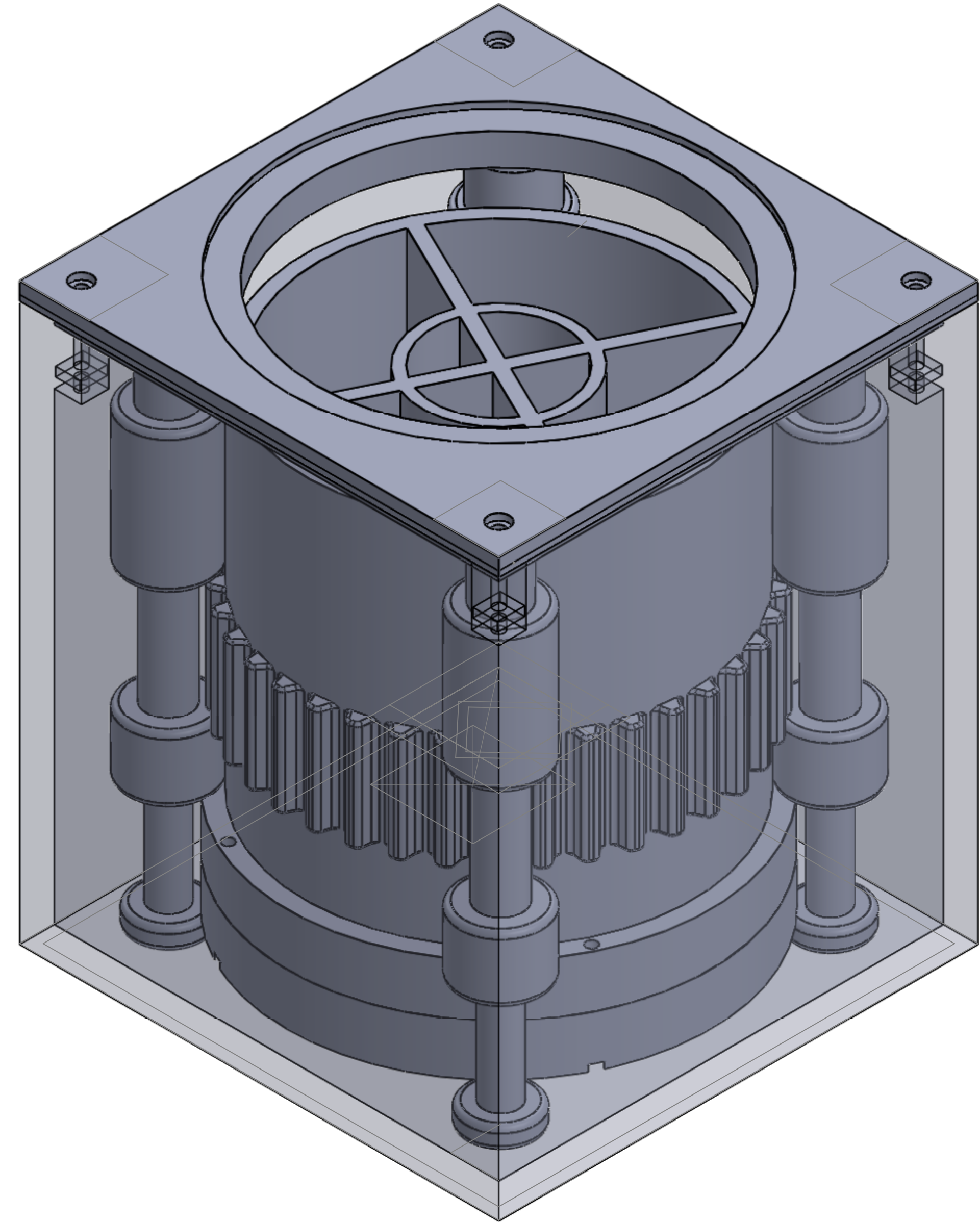
TOP



SIDE



BOTTOM



**PROPRIETARY AND CONFIDENTIAL**  
 THE INFORMATION CONTAINED IN THIS  
 DRAWING IS THE SOLE PROPERTY OF  
 CHATFIELD SENIOR HIGH SCHOOL. ANY  
 REPRODUCTION IN PART OR AS A WHOLE  
 WITHOUT THE WRITTEN PERMISSION OF  
 CHATFIELD SENIOR HIGH SCHOOL IS  
 PROHIBITED.

UNLESS OTHERWISE SPECIFIED:		DRAWN	NAME	DATE
DIMENSIONS ARE IN INCHES		CHECKED		
TOLERANCES:		ENG APPR.		
FRACTIONAL: ±		MFG APPR.		
ANGULAR: MACH ±		Q.A.		
BEND ±		COMMENTS:		
TWO PLACE DECIMAL ±				
THREE PLACE DECIMAL ±				
MATERIAL				
ABS PLASTIC				
NEXT ASSY	USED ON	FINISH		
APPLICATION				

TITLE:			
ASSEMBLY			
SIZE	DWG. NO.	REV	
D	CSH	AH	
SCALE: 1:1	WEIGHT:	SHEET 1 OF 1	